

Ankle Distraction with Bony Deformity Correction

S. Robert Rozbruch, MD

Chief, Limb Lengthening & Complex Reconstruction Service
Professor of Clinical Orthopedic Surgery

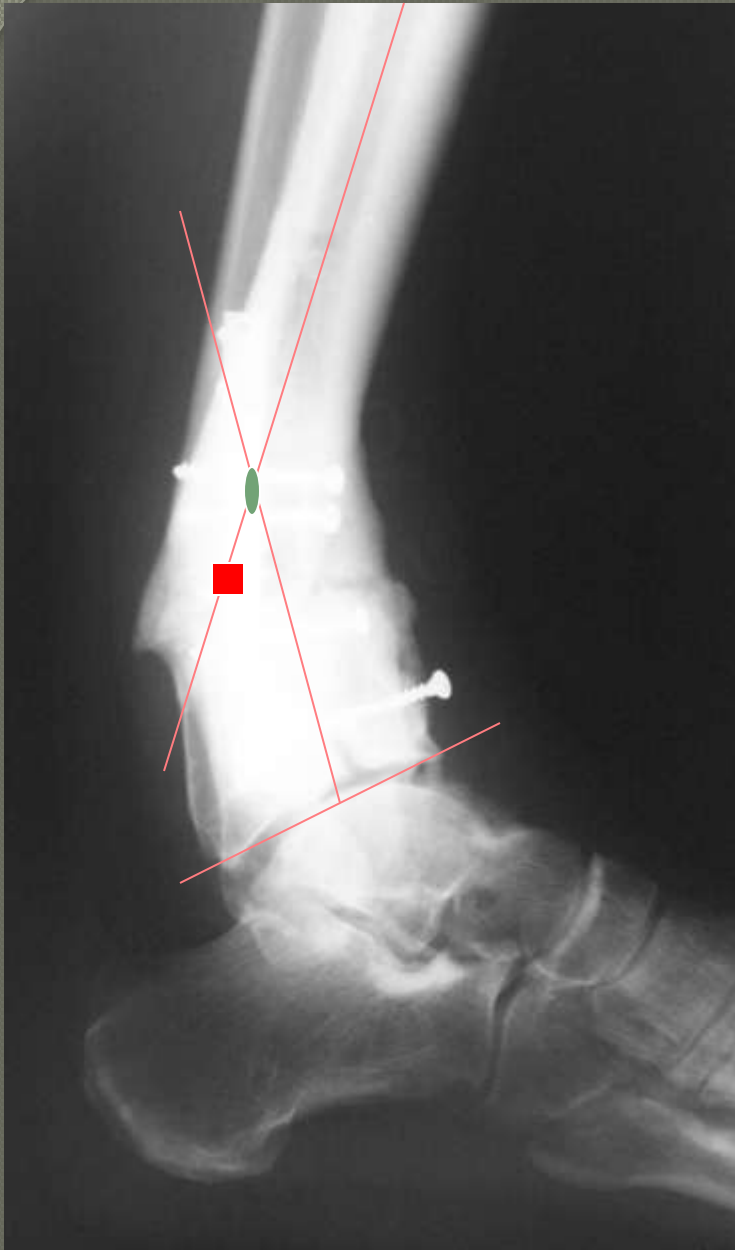


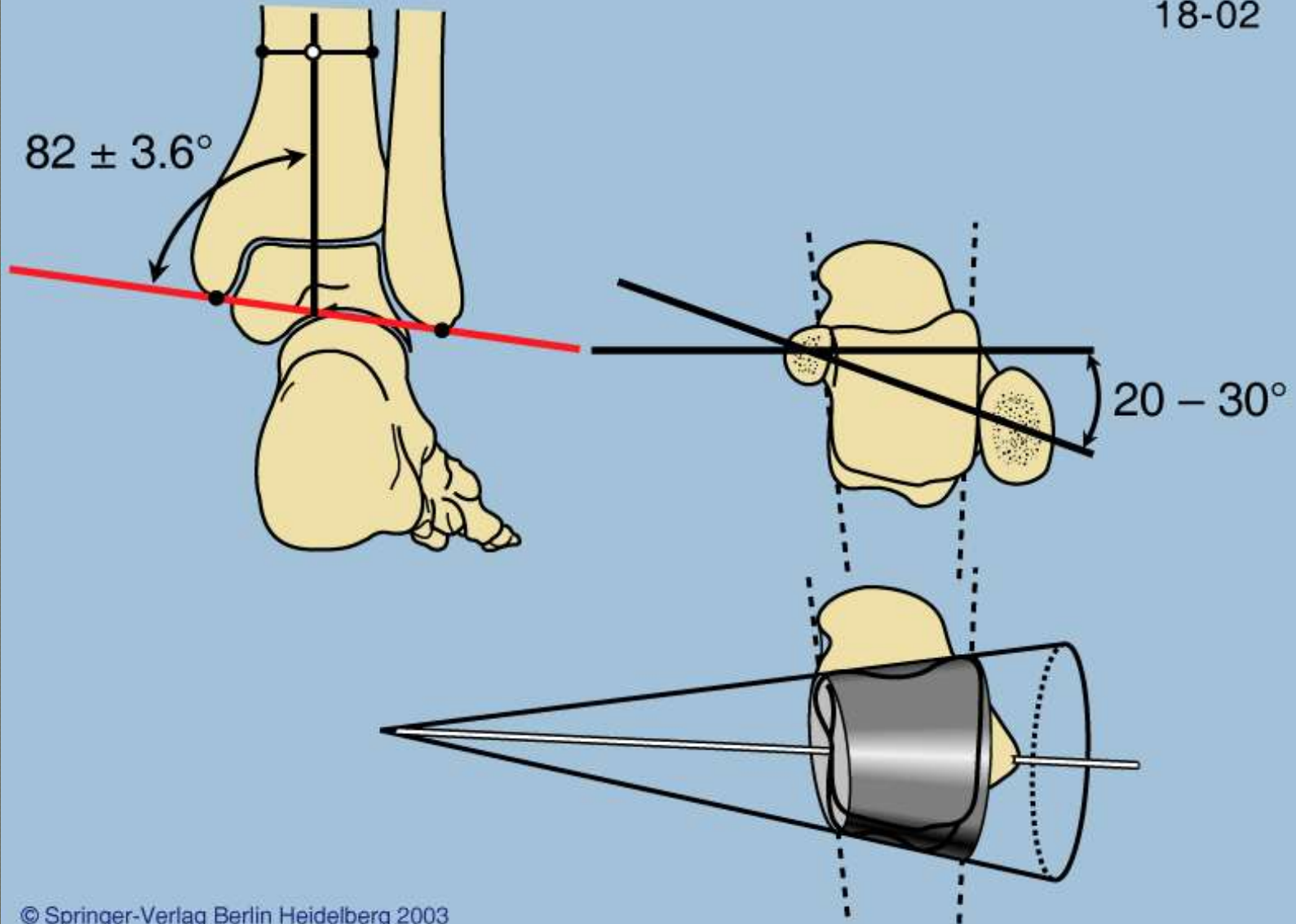
HOSPITAL FOR
SPECIAL SURGERY

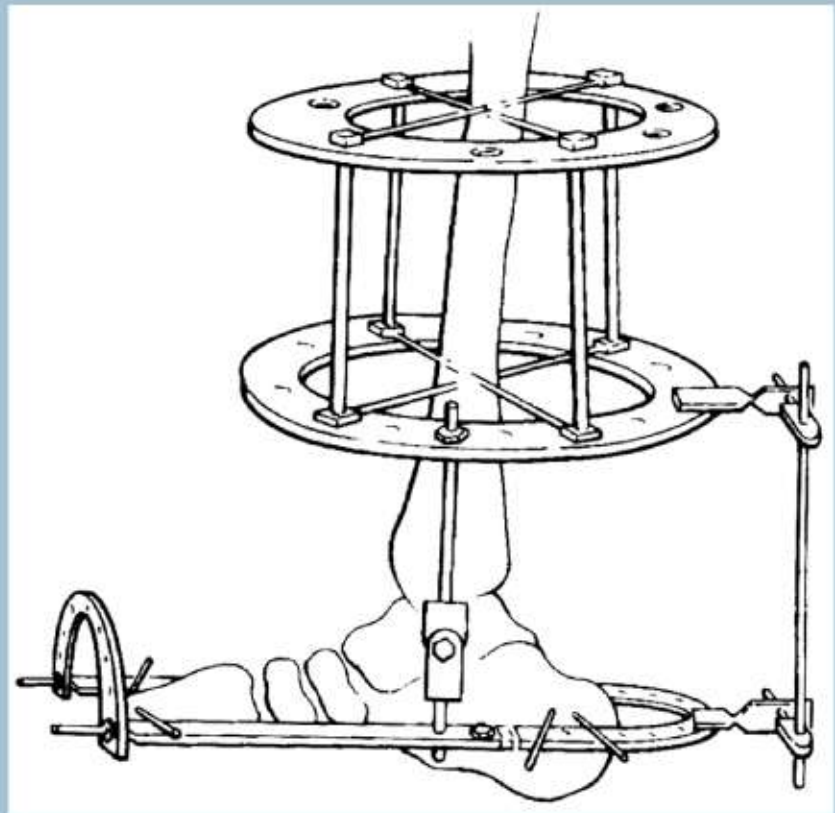
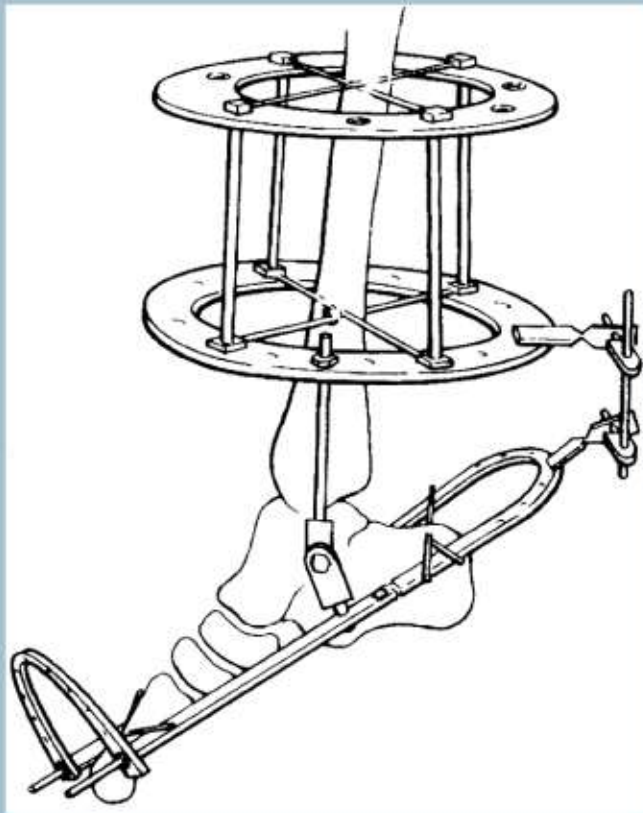


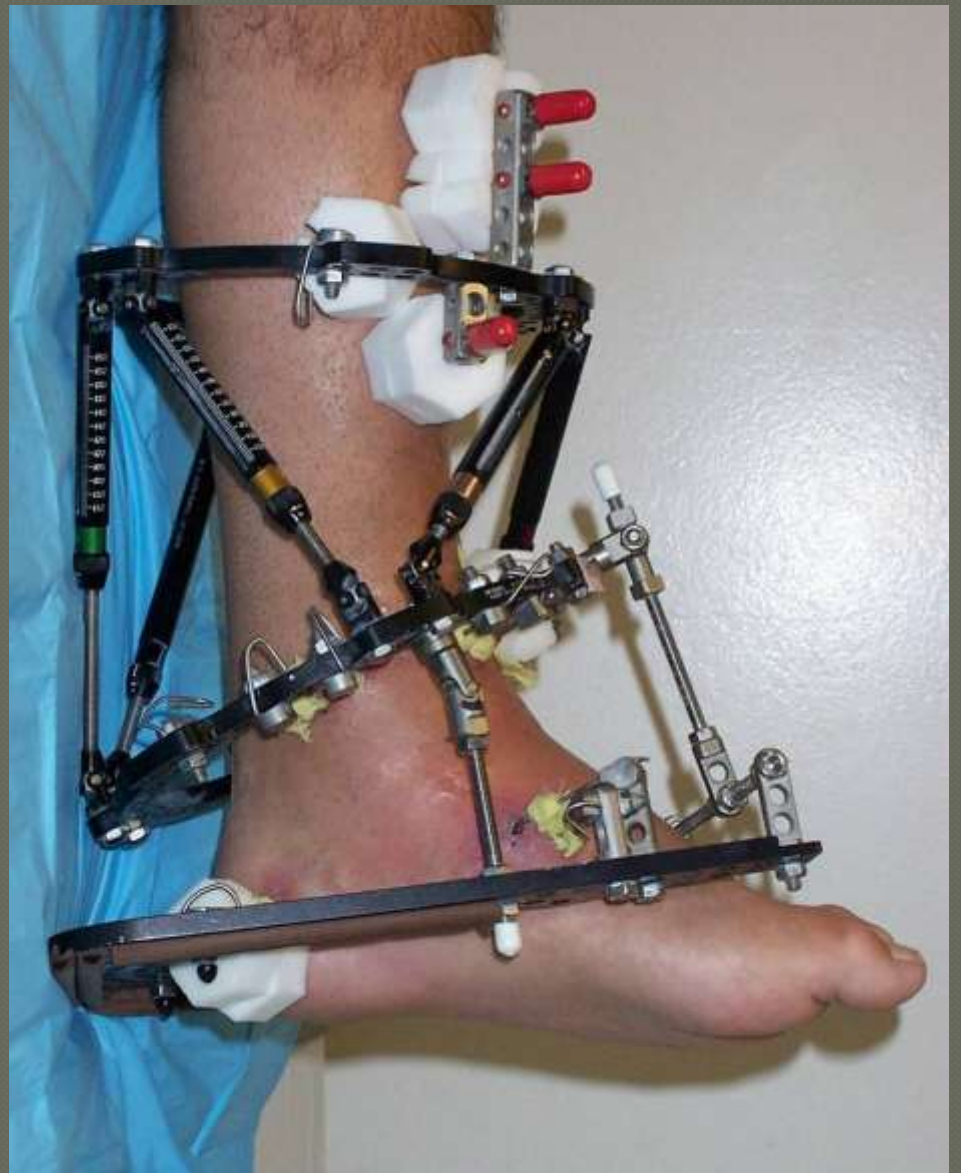
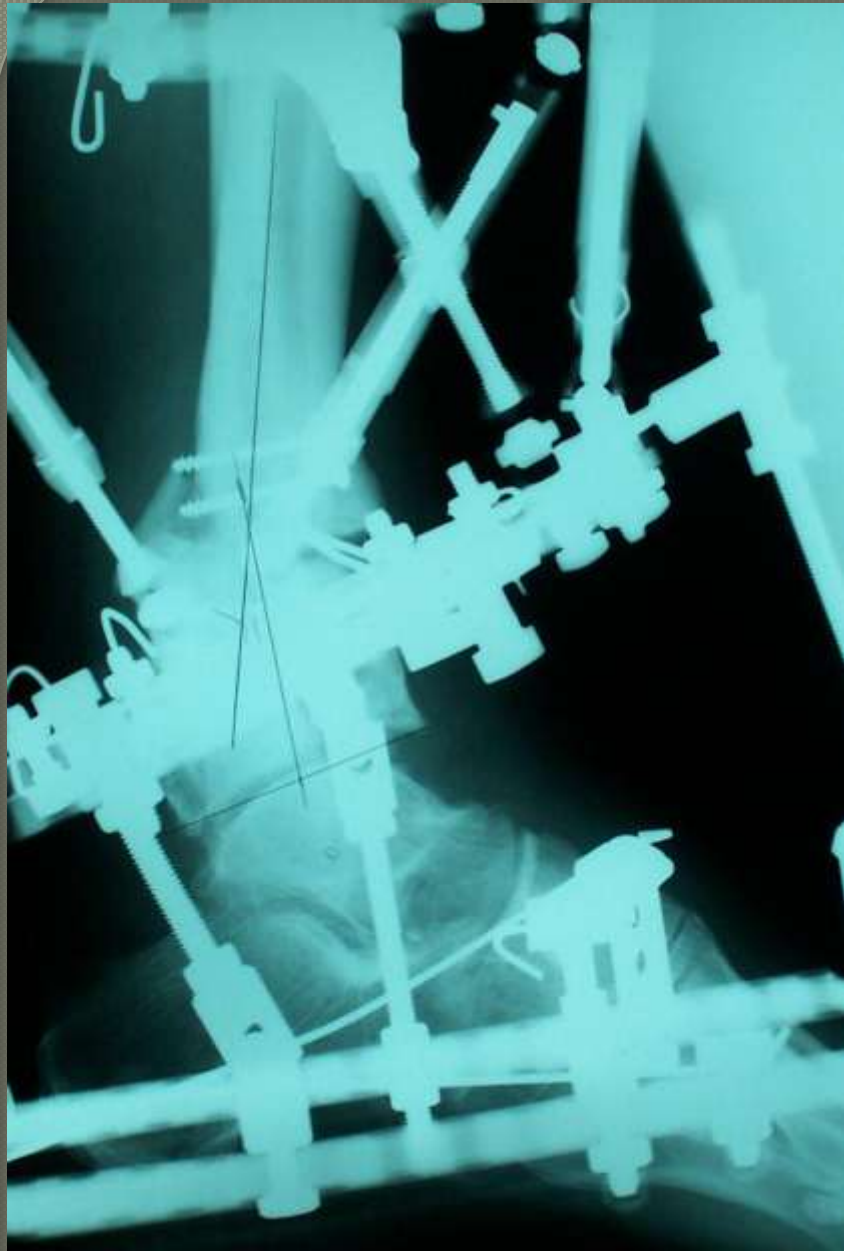
LIMB **LENGTHENING**.COM

before











R
DE
O



after

2.5 years

R
DE
O







before





After





after





DOUGLAS



FOR MORE VIEWS

gery

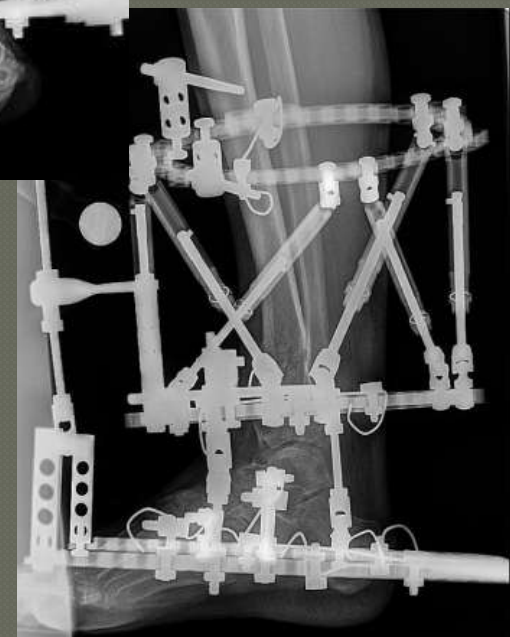
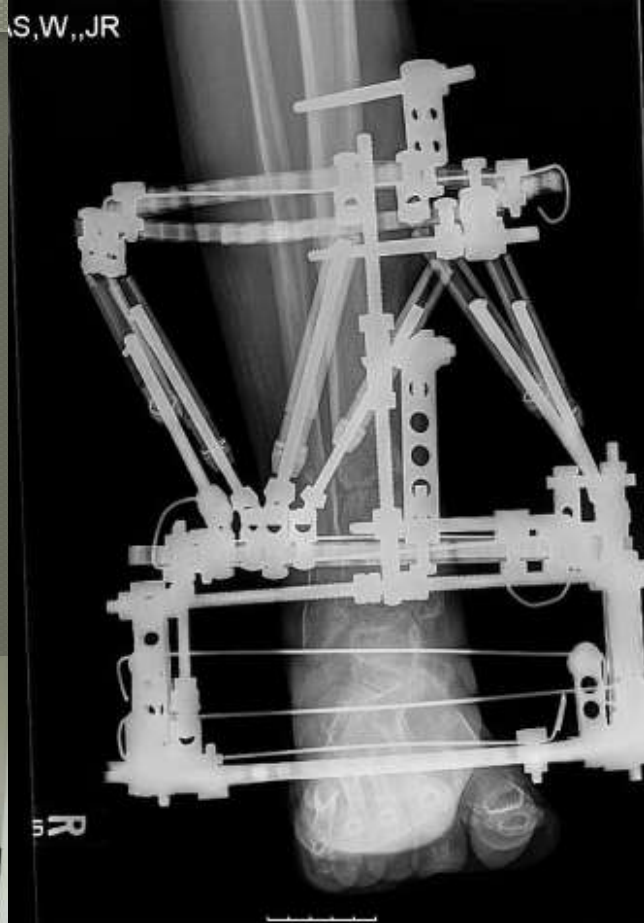


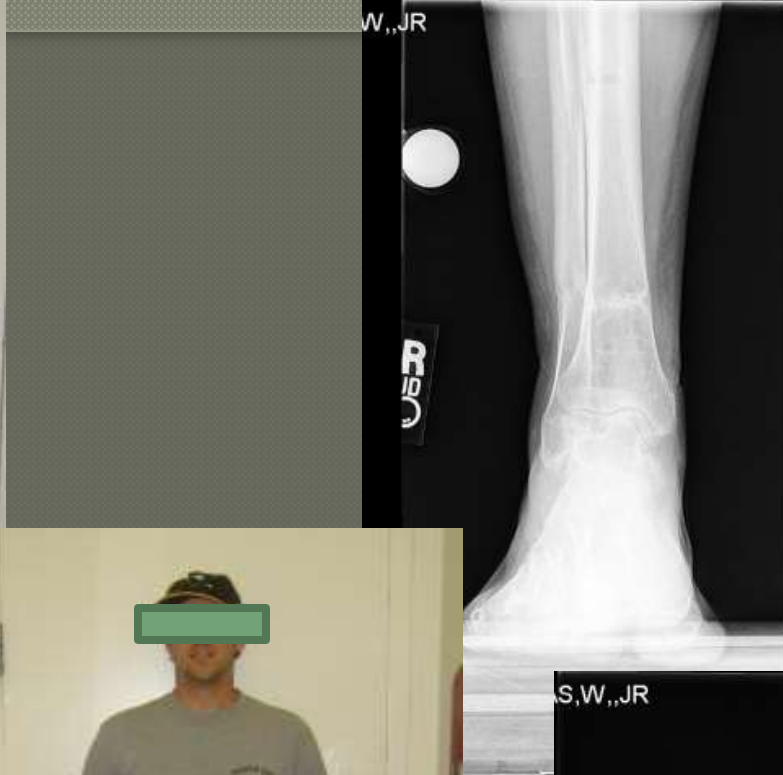
before





S,W,,JR





after



Thank You



LIMB .COM

www.hss.edu/limblengthening